

DT-200-1C

LARGE SINGLE COLOR PAD PRINTING MACHINE



DT-200-1C
single color model

- Simple to operate using touch panel
- Microprocessor controlled
- SMC pneumatics
- Easily accessible pad stroke adjustments
- X/Y/R/Z work table
- X/Y/R cliché adjustment
- Smooth & quiet machine performance
- 150mm (5.91") diameter ink cup

DT-200-1C

LARGE SINGLE COLOR PAD PRINTING MACHINE

The **DT-200-1C** pad printing machine is a large and economical one color pad printing system that is both user-friendly and quick to setup. It features a membrane control panel on the front faceplate and the easily accessible pad stroke controls are on the right side of the machine with numerical calibration. The **DT-200-1C** pad printer comes with a solid built welded steel machine base and it has adjustable floor levelers and a height adjustable work table. Inside the machine base you have room to store your pad printing supply items like; inks, thinners, ink cups, mixing cups, stir sticks, etc. This **DT-200-1C** is equipped with one ink cup (see specs below for size) and a X/Y/R adjustable cliché holder for precise alignment of artworks. The clichés can be; photo polymer, thin steel or laser etched varieties and **DECO TECH** provides a full array of consumable supplies, technical support & product training for our **DT SERIES** of pad printing machinery. This **DECO TECH** pad printing machine is backed with a one year warranty against defects in manufacturing.

MACHINE SPECS

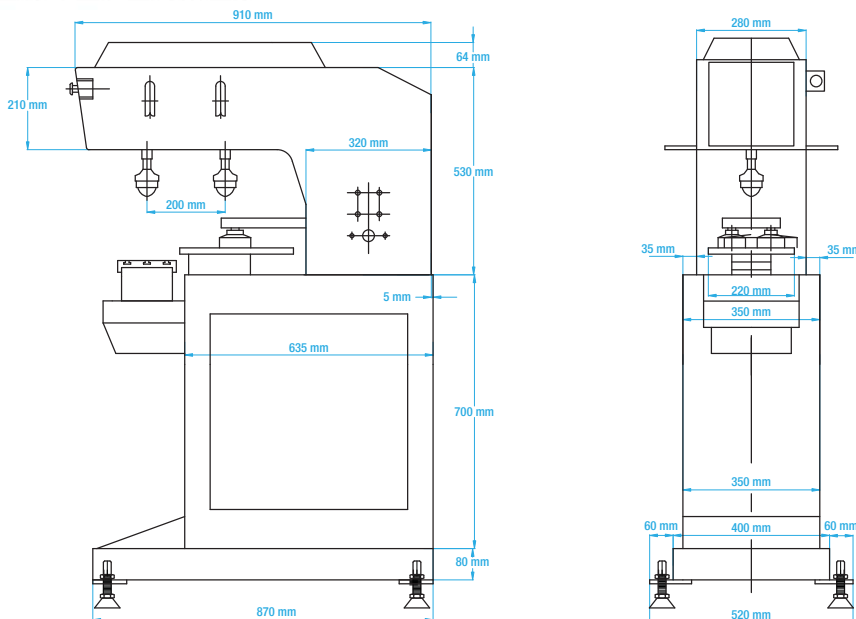
Printing capacity:	Up to 1,400/hr
Drive:	Electro-pneumatic
Printing force:	1,559N
Front & Back pad stroke:	200mm (7.87")
Air requirements:	5 bar (72.5psi)
Air consumption:	3 cfm @ 80psi
Control system:	12V PCB
Main voltage:	110 - 220V 50-60Hz
Control voltage:	24 VDC
Weight:	155 kg (342 lbs)
Origin:	China

PRINT SPECS

Plate size:	160 x 300mm (6.30"x11.81")
Plate thickness:	0.5mm
Ink cup size (diameter):	150mm (5.91")
Print size (diameter):	140mm (5.51")

*Specifications are subject to change without prior notification

DIMENSIONS

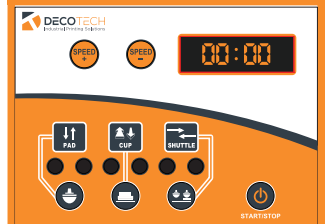


01/31/14 Rev A

Close-up of 150mm ink cup and pad holder



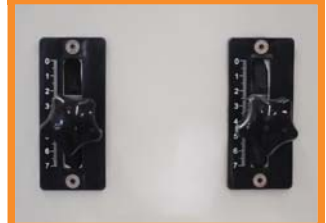
Close-up of the touch screen controls



Pneumatic Flow Controls



Pad Stroke Controls



© Deco Technology Group, Inc. All rights reserved.

DECO TECHNOLOGY GROUP, INC.

1040 SEGOVIA CIR

PLACENTIA, CA 92870

(800) 300-DECO

(714) 639-3326

(714) 639-2261

DECOTECHGROUP.COM