

ML-350

MULTI-COLOR LINEAR MOTOR PAD PRINTING WORKSTATION



Shown with optional linear motor driven pad shift device

- CNC Programmable printing system for X/Y/Z axis'
- Touch Screen controls with job memory storage
- Quick change magnetic ink cups with X/Y positioning
- Fully automatic tape pad cleaning device (optional)
- Fully automatic ink viscosity control (optional)
- Swiss built with world class components

ML-350

MULTI-COLOR LINEAR MOTOR PAD PRINTING WORKSTATION

The **ML-350** pad printer from **microPrint** is a programmable multi-color pad printing workstation that features "hybrid" drive controls with linear motor and pneumatic controls. The **ML-350** comes with a fully integrated tape pad cleaning system and automatic ink viscosity control system (optional). The **ML-350** can be outfitted with a servo part shuttle or a linear motor controlled pad shift device for precise printing results. We also offer multi-station carousel part handling systems, which are oval racetrack style part indexers. All **microPrint** machines use only top quality world class components and are built with unparalleled workmanship in Switzerland. **DECO TECH** is the exclusive North American distributor for microPrint and all microPrint machines are backed with a limited **3 YEAR FACTORY WARRANTY**.

MACHINE SPECS

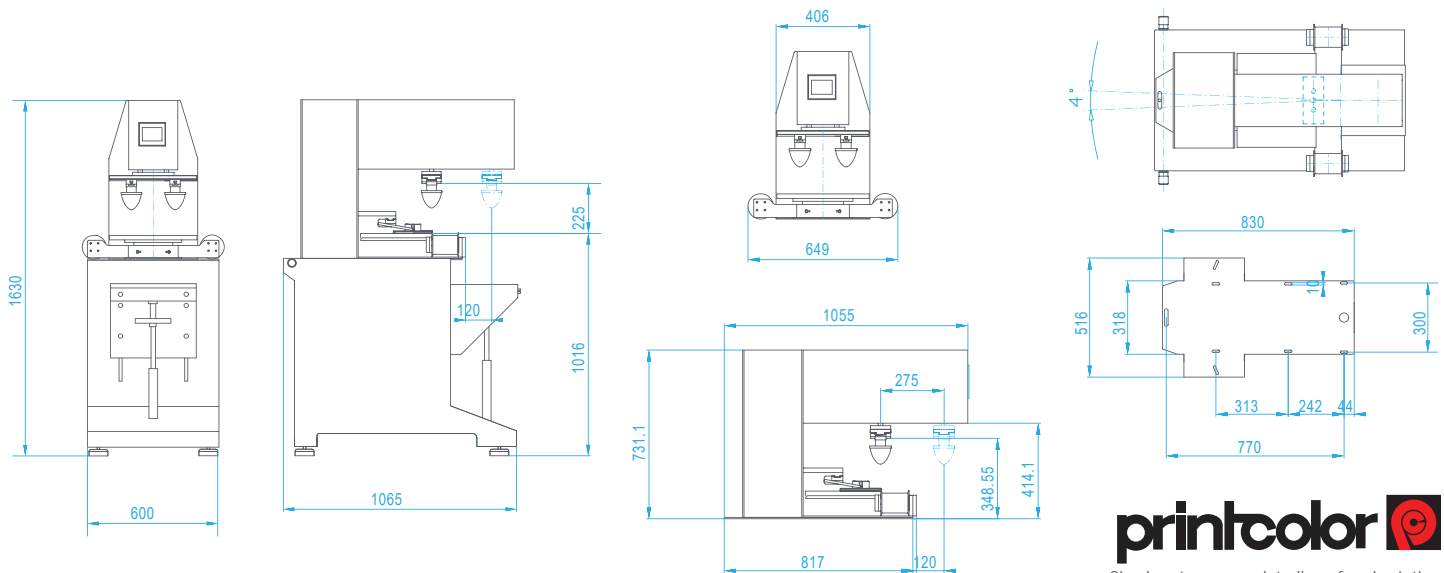
Printing capacity:	Up to 1,450/hr
Drive:	Linear motor & Pneumatic
Printing force:	1,100 N Max
Air requirements:	5-6 bar (87 psi)
Air consumption:	3 cfm @ 80psi
Control system:	PLC 24V
Main voltage:	230V 3 phase 50-60Hz
Control voltage:	24 VDC
Weight print head:	170 kg (375 lbs)
Weight with safety cell:	610 kg (1,345 lbs)
Origin:	Switzerland

PRINT SPECS

Plate sizes with ink cup:	420 x 250mm 360 x 250mm 260 x 250mm
Plate size with inkwell:	350 x 120mm
Plate thickness:	0.5 or 10mm
Ink cup sizes (diameter):	Print sizes (diameter):
6 x 56mm (2.20")	6 x 50mm (1.96")
5 x 70mm (2.75")	5 x 60mm (2.36")
4 x 86mm (3.38")	4 x 76mm (2.99")
3 x 120mm (4.72")	3 x 110mm (4.33")

*Specifications are subject to change without prior notification

DIMENSIONS



Rev A (08-8-22)

© Deco Technology Group, Inc. All rights reserved.



DECO TECHNOLOGY GROUP, INC.
 1040 SEGOVIA CIR
 PLACENTIA, CA 92870
 ☎ (800) 300-DECO
 ☎ (714) 639-3326
 ☎ (714) 639-2261
DECOTECHGROUP.COM