

MS-150

MODULAR 1 COLOR PAD PRINTING MACHINE



Shown with
optional floor stand

- Programmable automatic pad cleaning device
- Pad print ink viscosity control software (standard)
- VISCOMATIC™ ink viscosity control system (optional)
- Fast cliché changeover without tools
- Touch screen control with graphical icons
- X/Y/R cliché holder and X/Y/R pad adjustment

MS-150

MODULAR 1 COLOR PAD PRINTING MACHINE

The microPrint MS-150 pad printing machine is outfitted with a 140mm (5.5") magnetic ink cup and a max cliché size of 150 x 300mm. It is perfectly suited as a stand-alone 1 (one) color pad printing machine, or it can easily be integrated into an automated system with an on-board interface port as standard. Automatic pad cleaning and ink viscosity control are also available.

The MS-150 is precision crafted in Switzerland and it is built on a laser cut and laser welded robust steel machine frame that is powder coated and stands up well to solvents. The MS-150 is a compact, fast and precision built pad printing machine that ideally suited for pad printing on medical devices, interior or exterior automotive components, electronic components, injection molded parts and more.

MACHINE SPECS

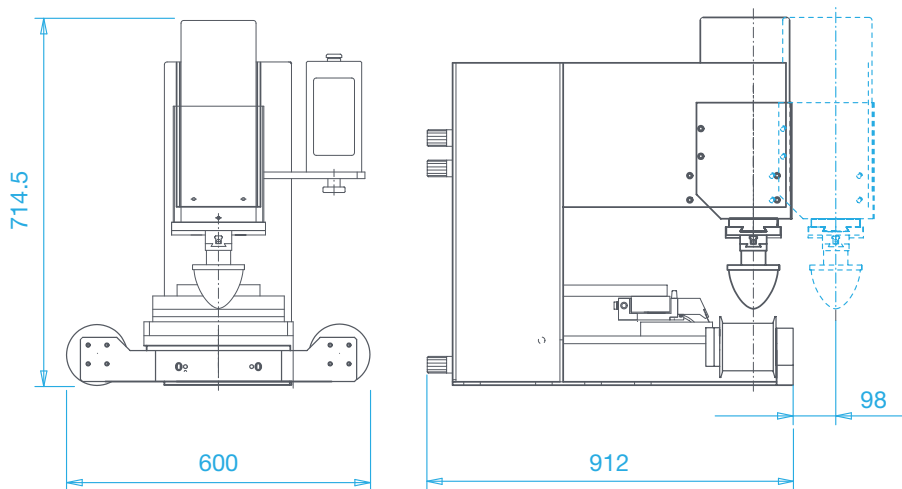
Printing capacity:	Up to 1,300/hr
Drive:	Pneumatic
Printing force:	Max. 1100 N
Air requirements:	5-6 bar (87 psi)
Air consumption:	2 cfm @ 80 psi
Control system:	PLC 24V
Main voltage:	110 - 240 V 50-60Hz
Control voltage:	24 VDC
Weight:	97 kg (214 lbs)
Weight with Stand:	165 kg (363 lbs)
Origin:	Switzerland

PRINT SPECS

Plate sizes with ink cup:	150 x 300mm max.	
Plate size with inkwell:	TBA	
Plate thickness:	0.5 or 10mm	
Ink cup sizes (diameter):	Print sizes (diameter):	
1 x 56mm (2.20")	1 x 50mm (1.96")	
1 x 70mm (2.75")	1 x 60mm (2.36")	
1 x 86mm (3.38")	1 x 76mm (2.99")	
1 x 120mm (4.72")	1 x 110mm (4.33")	
1 x 140mm (5.51")	1 x 130mm (5.11")	

*Specifications are subject to change without prior notification

DIMENSIONS



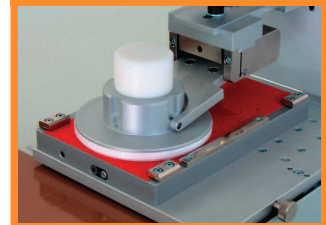
MS-130 shown in table top configuration



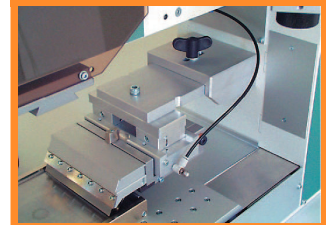
Easy to operate touch screen controls



X/Y/R plate adjustment & quick change ink cup



Available with optional open inkwell system



Check out our complete line of pad printing supplies including Printcolor brand inks.

© Deco Technology Group, Inc. All rights reserved.

DECO TECHNOLOGY GROUP, INC.

1040 SEGOVIA CIR

PLACENTIA, CA 92870

(714) 639-DECO

(714) 639-3326

(714) 639-2261

DECOTECHGROUP.COM

