

MSS-130

1 COLOR PAD PRINTING MACHINE WITH 90° PAD SWIVEL



- 90° pad swivel for printing on vertical face of parts
- X/Y/R cliché holder and X/Y/R pad adjustment
- Easy setup and change-over
- Intuitive, easy to use touch screen controls
- Automatic pad cleaning system (optional)
- Automatic ink viscosity control system (optional)
- Swiss built with world class components

MSS-130

1 COLOR PAD PRINTING MACHINE WITH 90° PAD SWIVEL

The microPrint model MSS-130 is a specially designed pad printer that can pivot the printing pad upward 90° to print on the horizontal plane. This unique and innovative pad printing machine is perfectly suited for interfacing into an automated production line, where you need to articulate the printing pad to print on the edge of a particular product. This unique type of pad transfer printing machinery is often used for pad printing on electronic, medical and automotive components. DECO TECH is the exclusive North American distributor for microPrint and all microPrint machines are backed with a limited **3 YEAR FACTORY WARRANTY**.

MACHINE SPECS

Printing capacity:	Up to 2,000 pph
Drive:	Pneumatic
Printing force:	420 N Max
Air requirements:	5-6 bar (87 psi)
Air consumption:	1.8 l/cycle
Control system:	PLC 24V
Main voltage:	110 – 240 V 50–60Hz.
Control voltage:	24 VDC
Weight:	60 kg. (132 lbs.)
Origin:	Switzerland

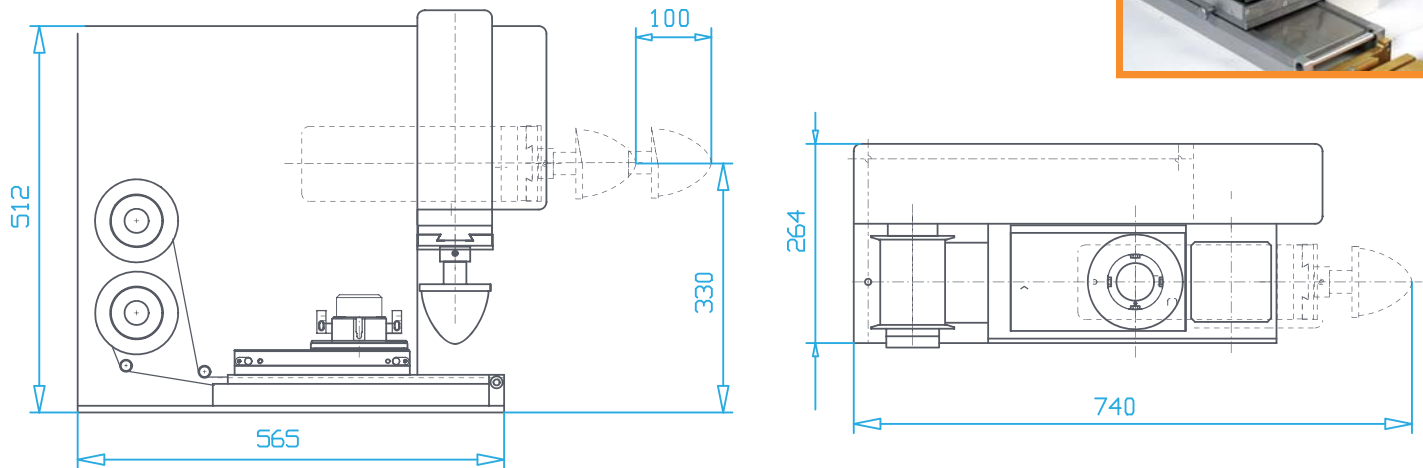
PRINT SPECS

Plate sizes with ink cup:	130 x 250mm
Plate sizes with inkwell:	130 x 120mm
Plate thickness:	0.5 or 10mm
Ink cup sizes (diameter):	Print sizes (diameter):
1 x 70mm (2.75")	1 x 60mm (2.36")
1 x 86mm (3.38")	1 x 76mm (2.99")
1 x 120mm (4.72")	1 x 110mm (4.33")

*Specifications are subject to change without prior notification



DIMENSIONS



Check out our complete line of pad printing supplies including Printcolor brand inks.

© 2020 Deco Technology Group, Inc. All rights reserved.

DECO TECHNOLOGY GROUP, INC.

1040 SEGOVIA CIR

PLACENTIA, CA 92870

(800) 300-DECO

(714) 639-3326

(714) 639-2261

DECOTECHGROUP.COM

